

A6118 Triple Balanced Mixer

6.0 to 18.0 GHz

Technical Characteristics

Product Features
Multi-octave bandwidth
Broad frequency - input and output
Wide DC to IF frequency response
Low conversion loss
High port-to-port isolation

Maximum Ratings	
Storage Temperature	-65 to +150°C
Operating Temperature Peak	-55 to +125°C
Peak Input Power For Any Port	+24dBm Peak
Specifications @	25°C

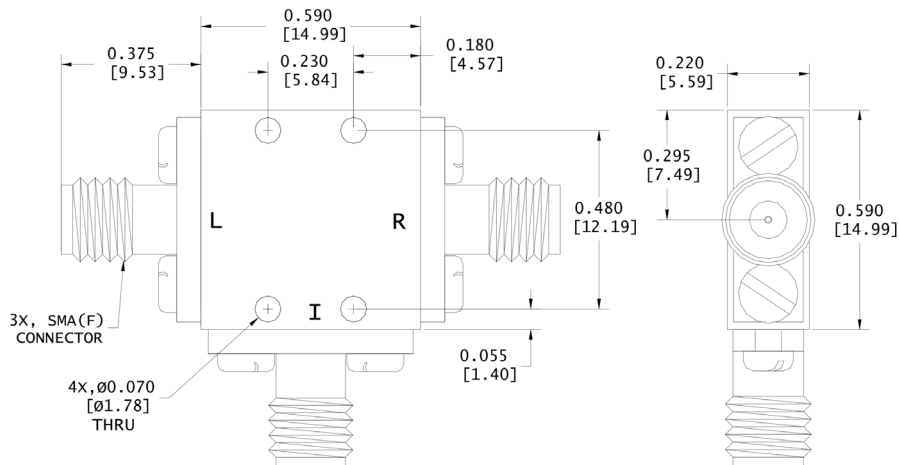
Parameters	Freq. (GHz)	Minimum	Typical	Maximum	Units	Conditions
Conversion Loss						
RF Input	6.0 to 18.0		7.0	9.0	dB	IF = 500 to 2000 MHz
LO Input	6.0 to 18.0					
IF Output	0.5 to 8.0					
Isolation						
LO-RF		20.0	27.0		dB	
LO-IF		22.0	27.0		dB	
RF-IF			25.0		dB	
VSWR			2.5:1			
1dB Comp.Point						
LO Drive A6118M A6118N			10.0 15.0	14.0 18.0	dBm dBm	
3rd Order Intercept Point A6118M A6118N			14.0 18.0		dBm dBm	

NOTES:

1. Measured in a 50-ohm system with nominal LO drive and downconverter application only, unless otherwise specified. The I-Port frequency range extends to DC for phase detection, pulse modulation, or attenuator applications. I-Port VSWR degrades from a 50-ohm system at low IF frequencies.

2. Typical values are measured at +25°C and are not guaranteed.

Package outline 'Z'



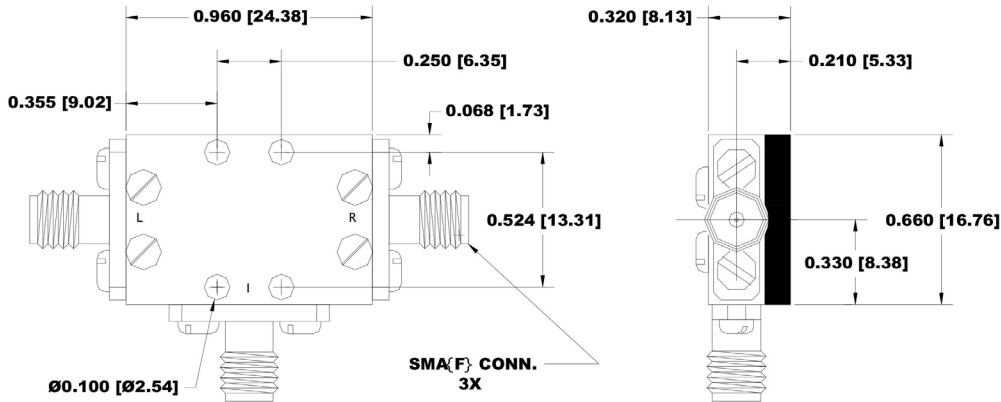
DISCLAIMER: Subject to change without notice.
Rev(B) 03/12/19

A6118 Triple Balanced Mixer

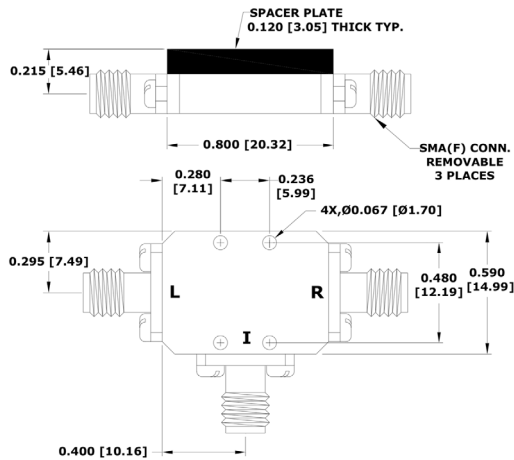
6.0 to 18.0 GHz

Outline Drawings 1 of 2

Package outline 'B'



Package outline 'L'



Drop in Package outline 'E1'

